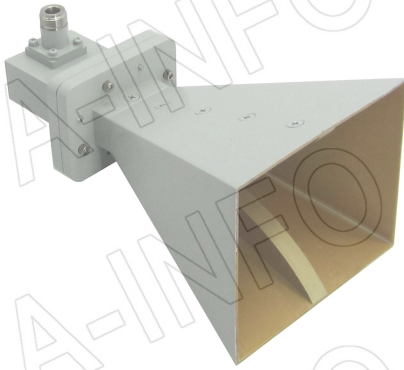


For reference only. See data sheet for the detailed specifications.

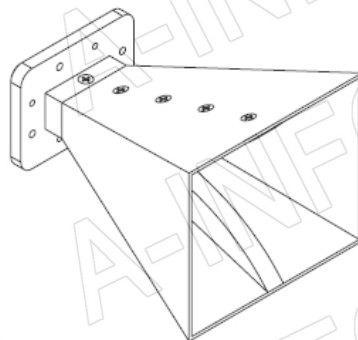
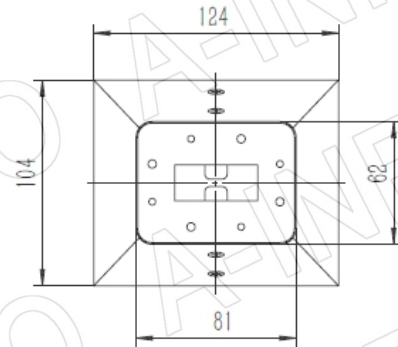
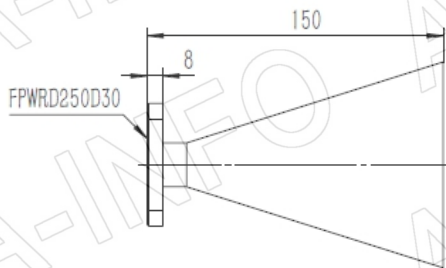
Technical Specification



Frequency Range(GHz)	2.6 – 7.8
Gain(dBi)	10 Typ.
Polarization	Linear
3dB Beamwidth(deg)	E Plane: 54 - 24
	H Plane: 56 - 24
Cross Pol. Isolation(dB)	25 Typ.
VSWR	1.50:1 Typ.
Output	A Type: FPWRD250D30
	C Type: N-Female or SMA-Female
Power Handling(W CW)	N-Female: 500 Max.
	SMA-Female: 50 Max.
Material	Al
Finish	Chemical Conversion Coating, Gary Paint
Size(mm)	A Type: 124 x 104 x 150
	C Type: 124 x 104 x 217
Net Weight(Kg)	A Type: 0.5 Around
	C Type: 0.8 Around

Outline Drawing (Size: mm)

FPWRD250D30 Output (P/N: LB-2678-10-A)



AINFO Inc.

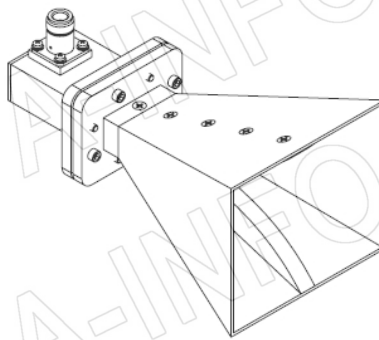
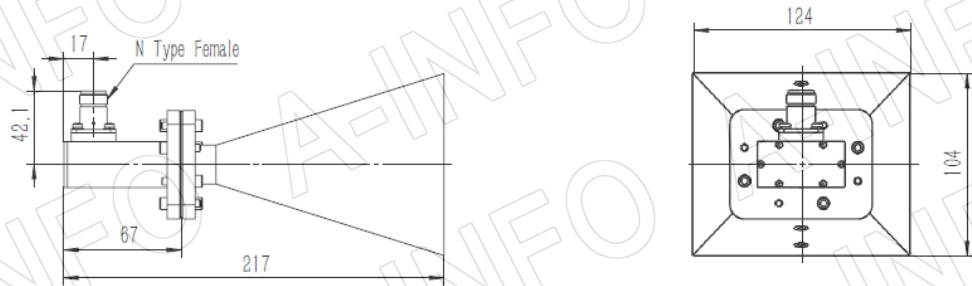
China(Beijing): Tel: (+86) 10-6266-7326,
 China(Chengdu): Tel: (+86) 28-8519-2786,
 USA : Tel: (+1) 949-639-9688,

Page 1 of 8
 (+86) 10-6266-7327 Fax: (+86) 10-6266-7379
 (+86) 28-8519-3044 Fax: (+86) 28-8519-3068
 (+1) 949-639-9608 Fax: (+1) 949-639-9670

Website: www.ainfoinc.com
 Email: sales@ainfoinc.com

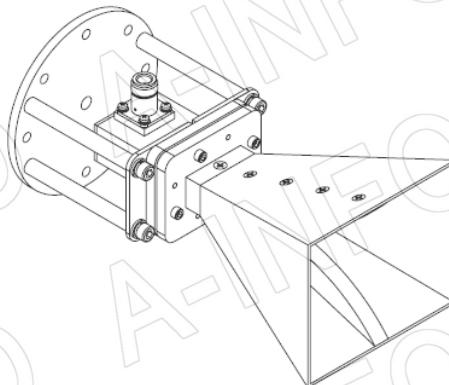
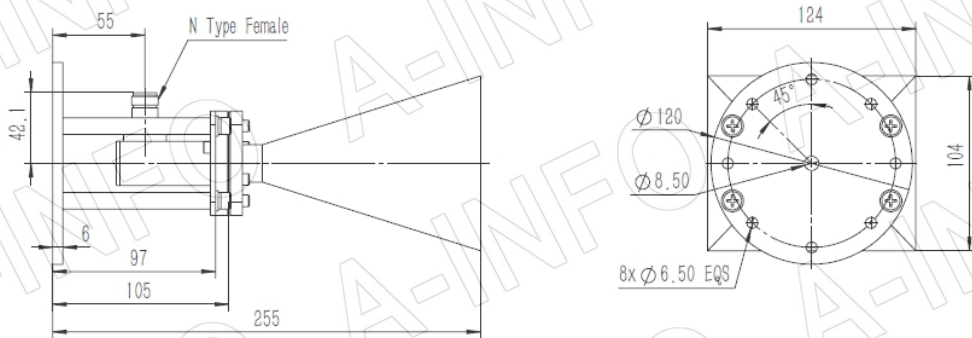
N-Female Output (P/N: LB-2678-10-C-NF)

For SMA-Female output outline drawing, please contact A-INFO.



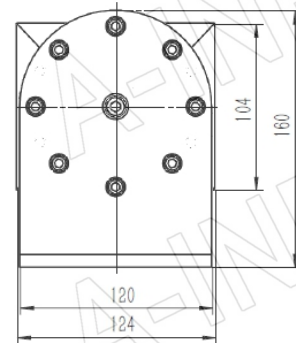
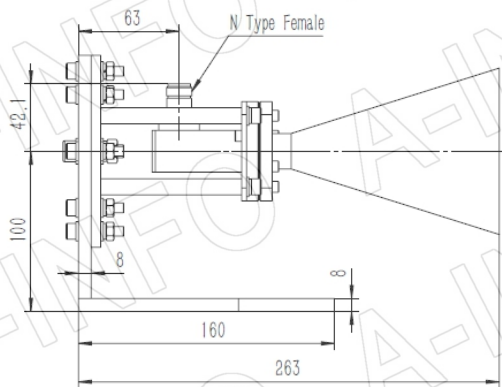
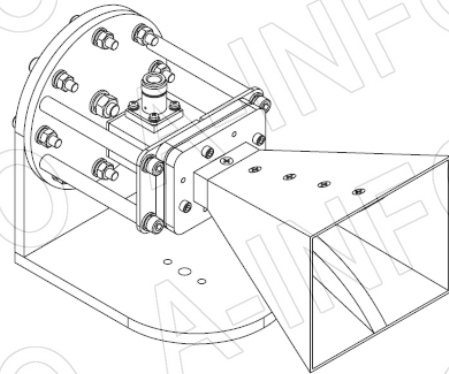
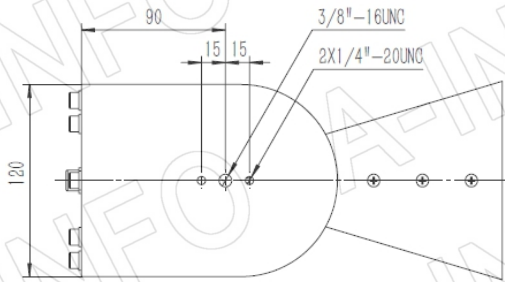
N-Female Output with Round Mounting Bracket (Option, P/N: LB-2678-10-C-MB)

For SMA-Female output outline drawing, please contact A-INFO.



N-Female Output with L Type Mounting Bracket (Option, P/N: LB-2678-10-C-MBL)

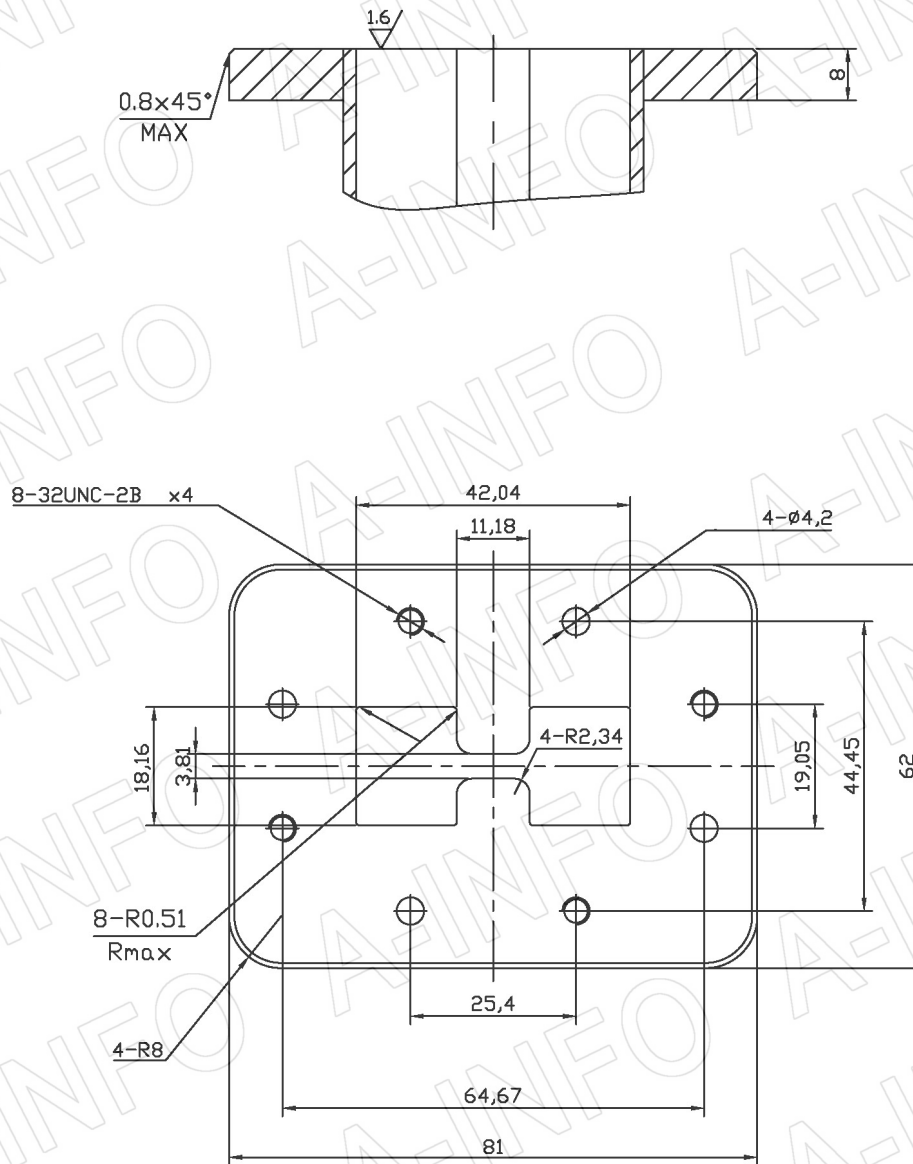
For SMA-Female output outline drawing, please contact A-INFO.



Flange Drawing (Size: mm)

FPWRD250D30

(With four through mounting holes and four screws holes)



AINFO Inc.

China(Beijing): Tel: (+86) 10-6266-7326,
 China(Chengdu): Tel: (+86) 28-8519-2786,
 USA: Tel: (+1) 949-639-9688,

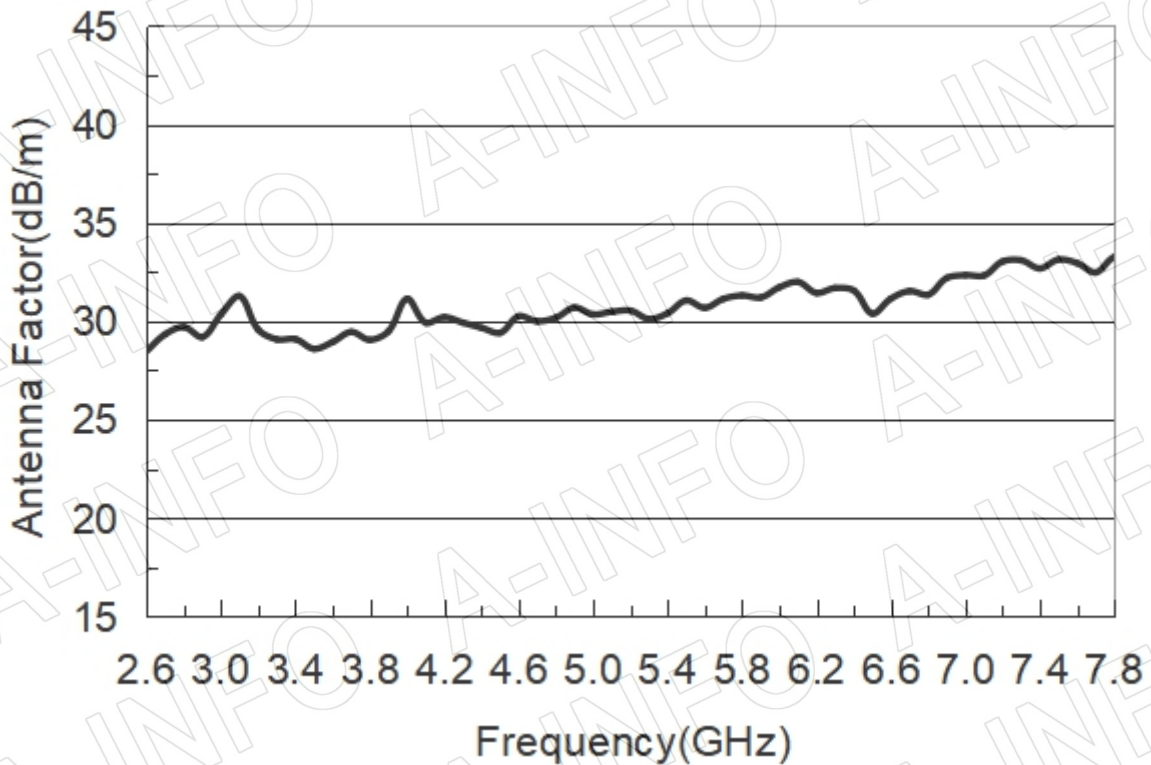
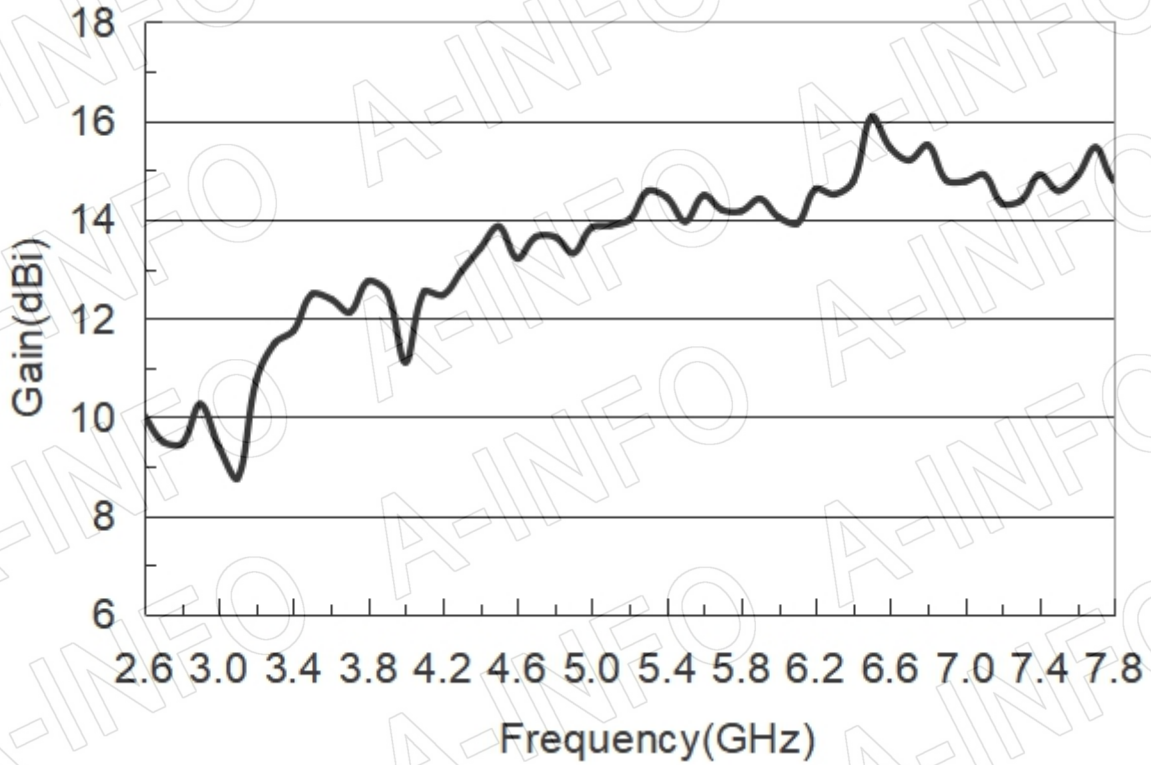
Page 4 of 8

(+86) 10-6266-7327 Fax: (+86) 10-6266-7379
 (+86) 28-8519-3044 Fax: (+86) 28-8519-3068
 (+1) 949-639-9608 Fax: (+1) 949-639-9670

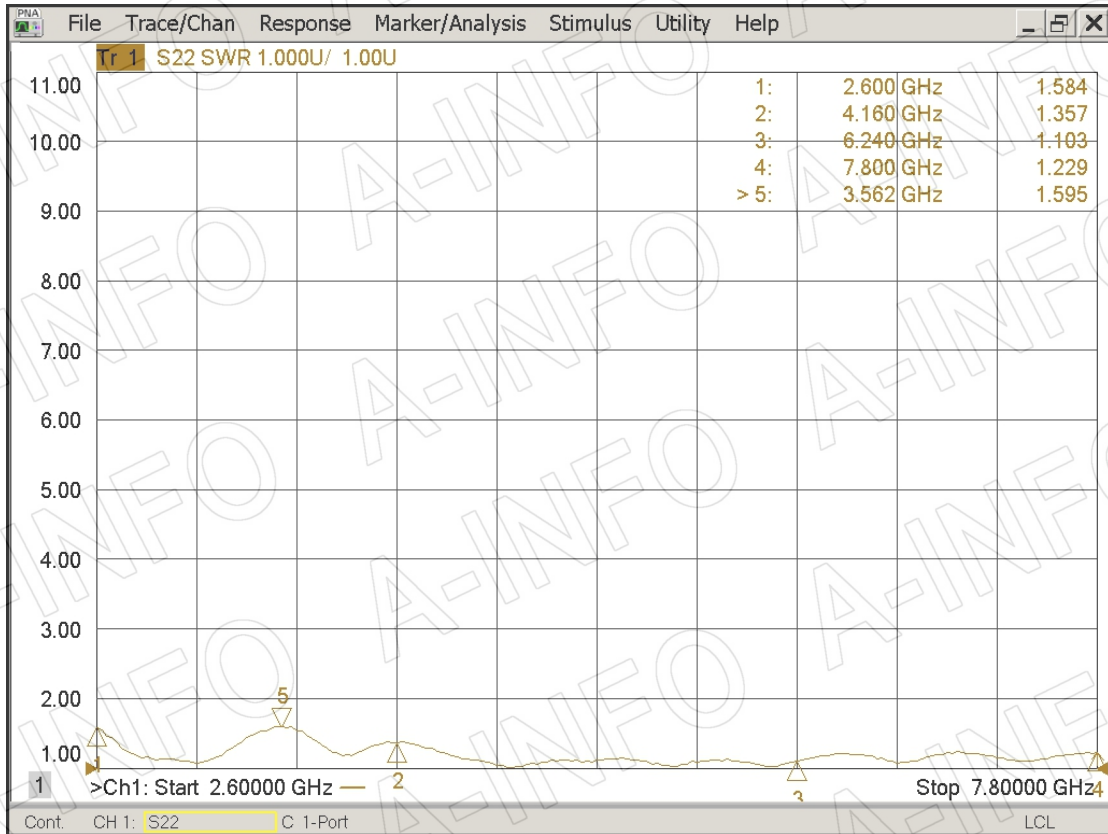
Website: www.ainfoinc.com
 Email: sales@ainfoinc.com

Test Results

1. Gain & Antenna Factor



2. VSWR



3. Pattern

